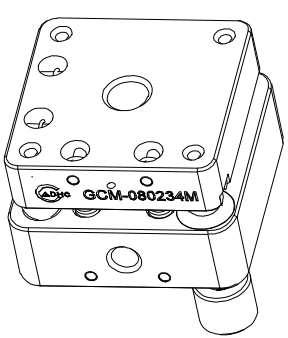
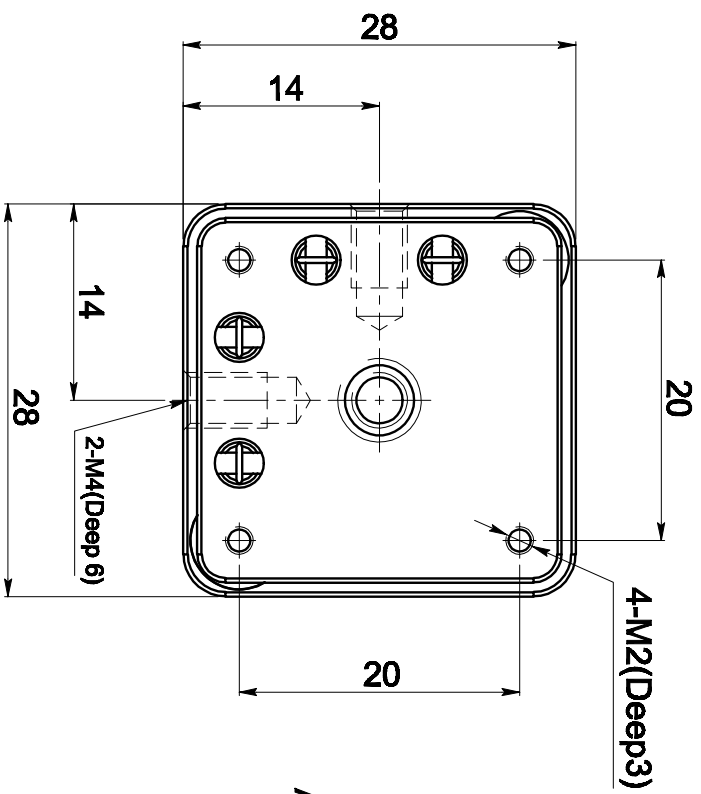
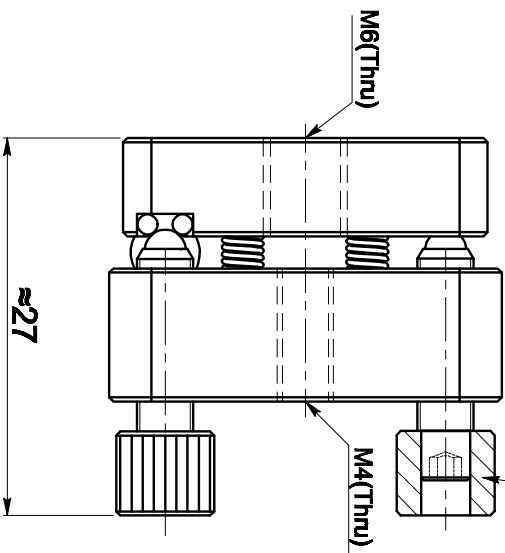
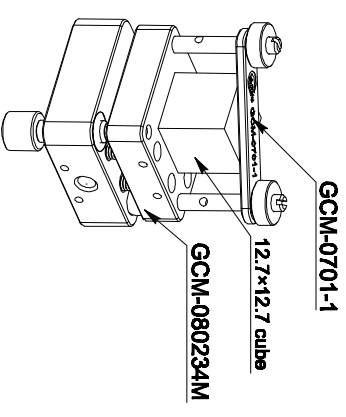


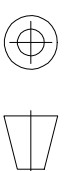
2-adjusting knobs
M4×0.2, ±4°
2mm hex



APPLICATION EXAMPLE



DRAWING
PROJECTION



GCM-080234M

www.cdihcorp.com.cn

CDHC
大恒光电

SMALL LENS/
MIRROR HOLDER

weight scale

30g

2:1