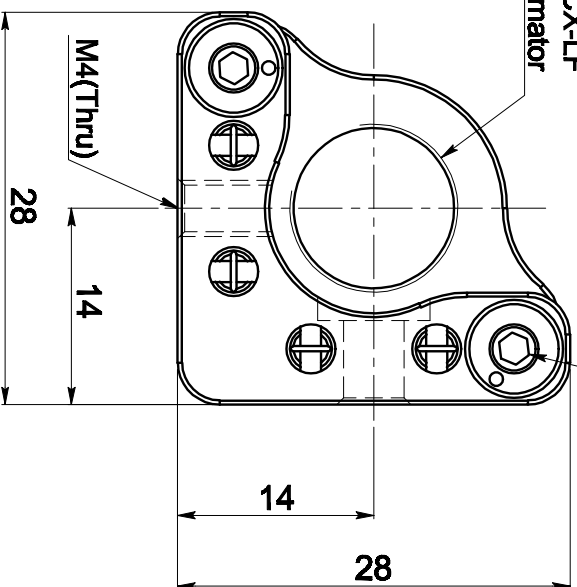
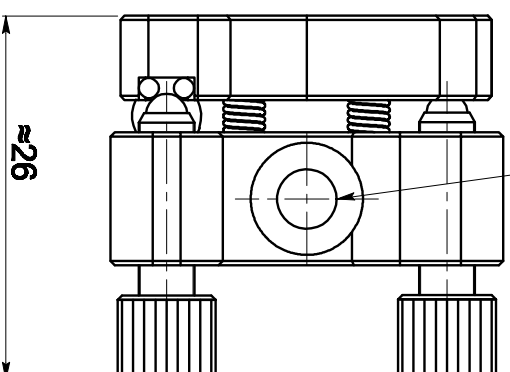


M12×0.5  
Suitable for GCX-LF  
fiber optic collimator

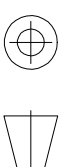
2-adjusting screws  
M4×0.2, ±4°  
2mm hex



Counterbore for  
M4 mounting screws



DRAWING  
PROJECTION



GCM-080235M

www.cdhc corp. com. cn

CDHC  
大恒光电

SMALL LENS/  
MIRROR HOLDER

weight scale

20g

2:1