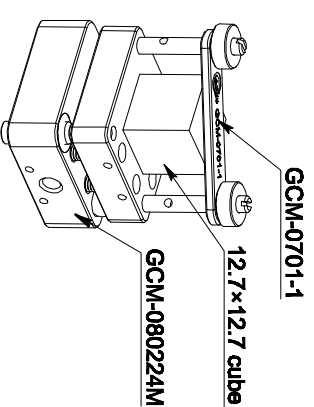




### APPLICATION EXAMPLE



DRAWING PROJECTION		 	
GCM-080224M		<b>CDHC</b> <b>大恒光电</b> <a href="http://www.cdhc corp. com. cn">www. cdhc corp. com. cn</a>	
SMALL LENS/ MIRROR HOLDER		weight	scale
		29g	2:1