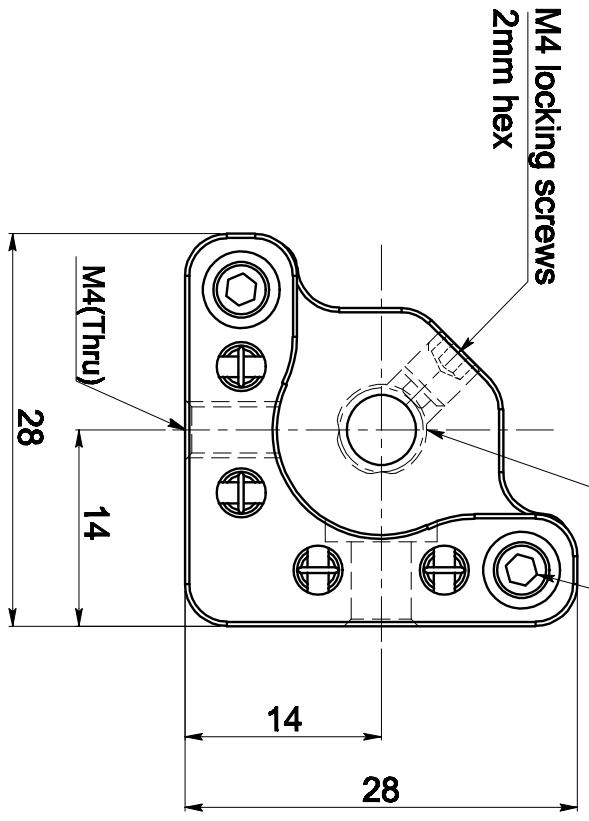
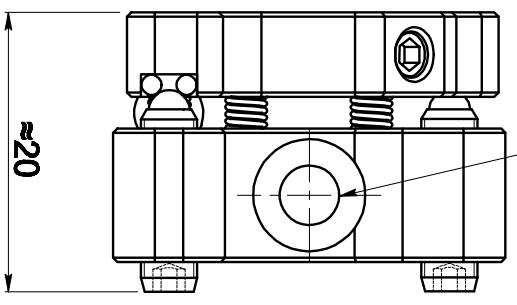


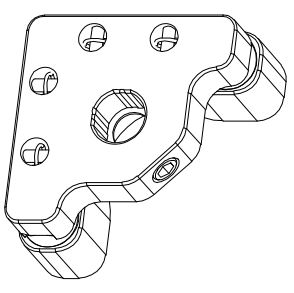
Accept Ø6mm optics
 Thickness: $\geq 3\text{mm}$
 Ø5mm clear aperture



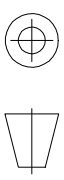
2-adjusting screws
 M4x0.2, $\pm 4^\circ$
 2mm hex



Counterbore for
 M4 mounting screws



DRAWING
 PROJECTION



GCM-080221M

www.cdihcorp.com.cn

CDHC
 大恒光电

SMALL LENS/
 MIRROR HOLDER

weight scale

20g

2:1