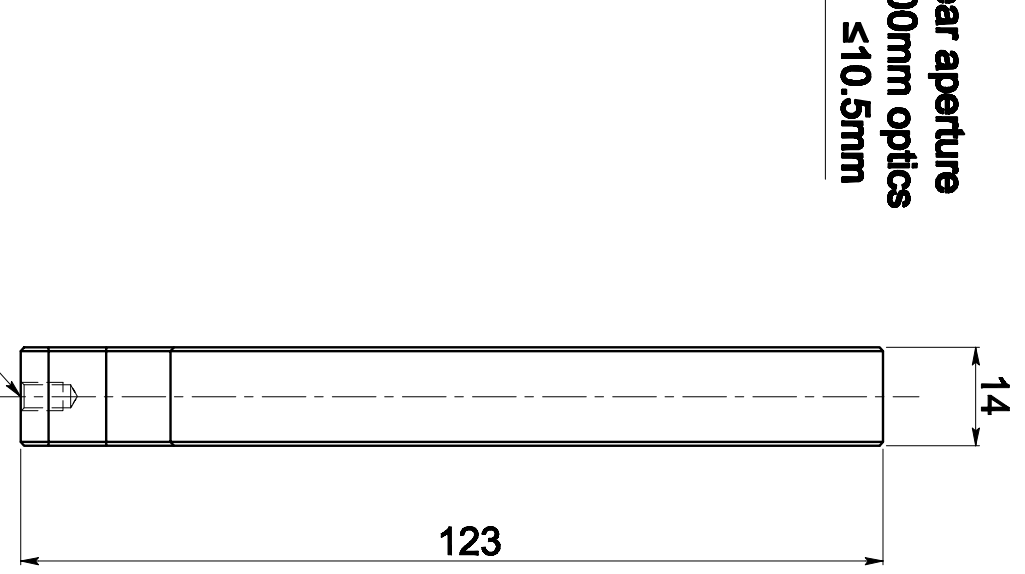
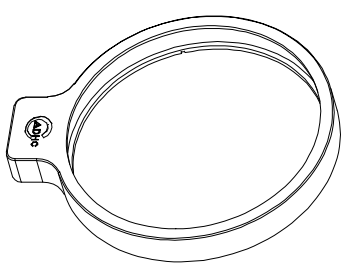
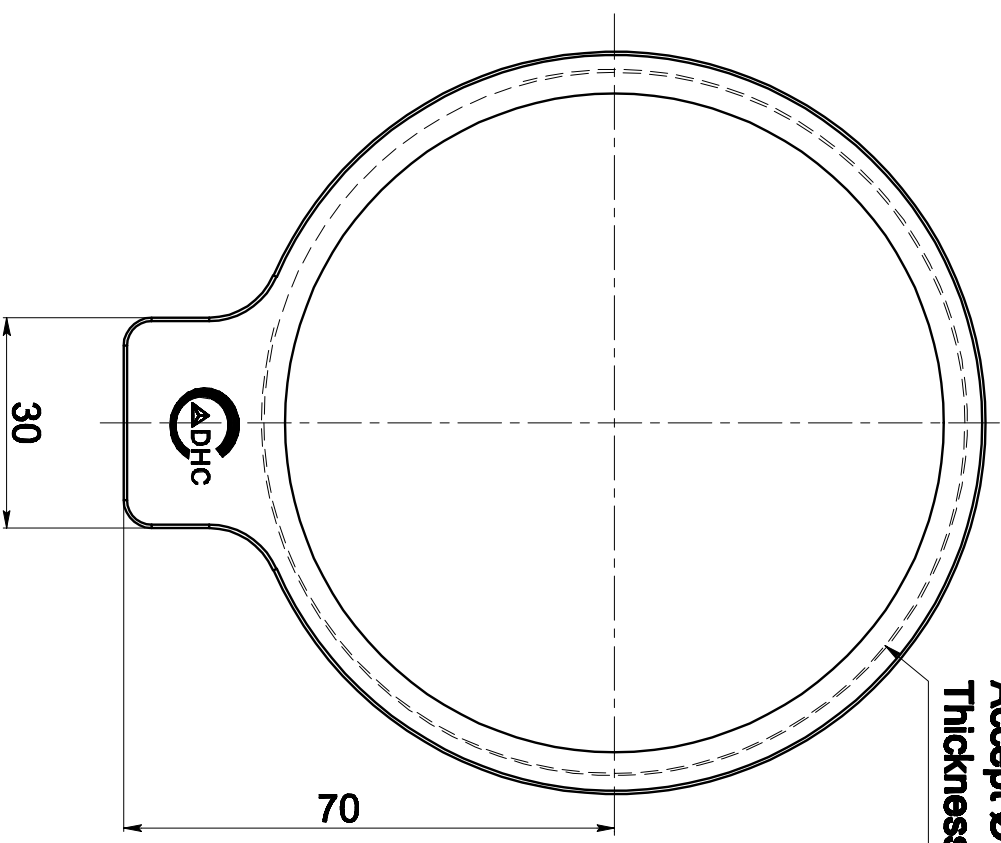
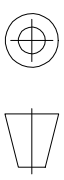


Ø94mm clear aperture
Accept Ø100mm optics
Thickness: ≤10.5mm



M4 Deep 8mm

DRAWING
 PROJECTION



GCM-0812100M

www.cdhc corp. com. cn

CDHC
大恒光电

SIMPLE

weight sac le

LENS/MIRROR MOUNT

60g

1:1