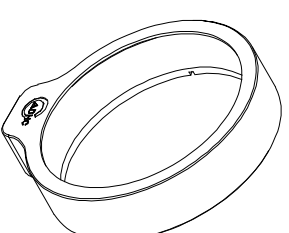
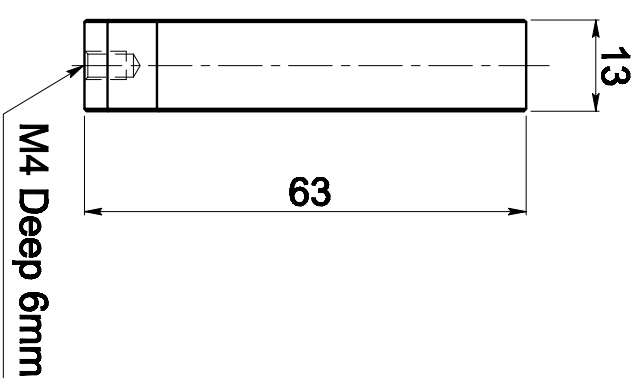
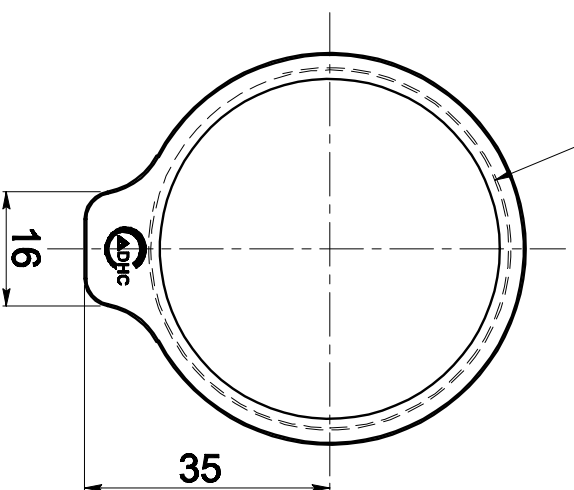


SM2(2.035"-40) internal thread
Accept Ø50.8mm optics Thickness : 510mm
Ø48.5mm clear aperture



DRAWING PROJECTION				CDHC 大恒光电 www.cdhccorp.com.cn	
GCM-081250M					
SIMPLE LENS/MIRROR MOUNT		weight		scale	
		20g		1:1	