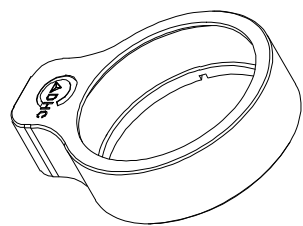
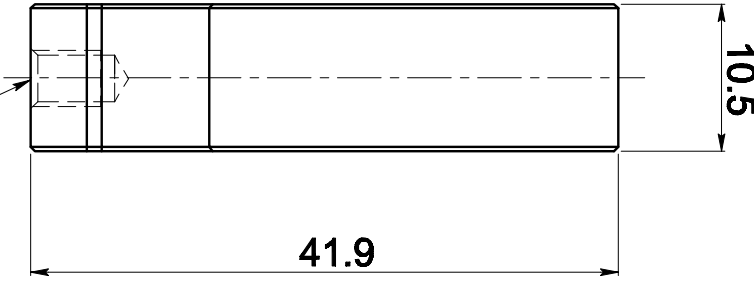
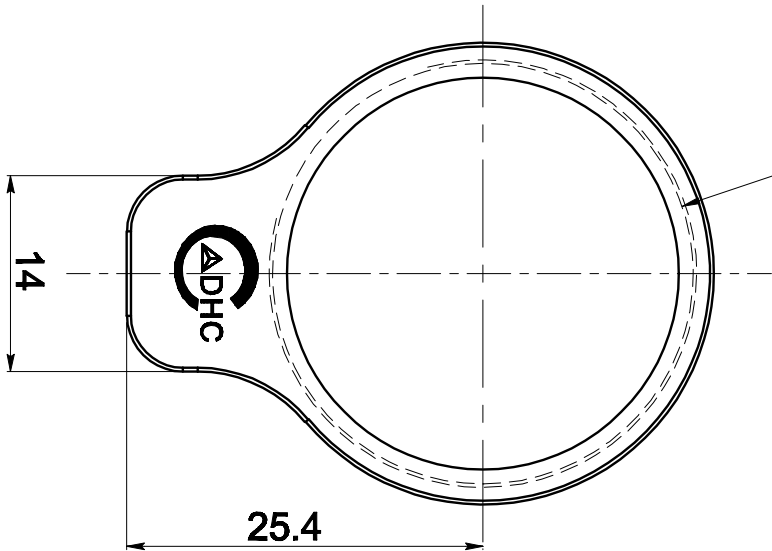


Accept Ø30mm optics Thickness : 57.8mm
 Ø27.5mm clear aperture



DRAWING PROJECTION			
GCM-081230M		CDHC 大恒光电 www.cdhccorp.com.cn	
SIMPLE LENS/MIRROR MOUNT		weight	sacle
		10g	2:1