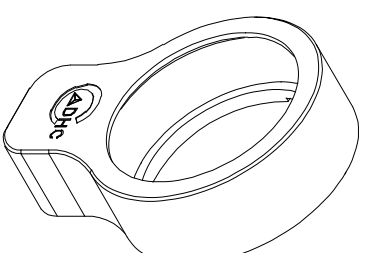
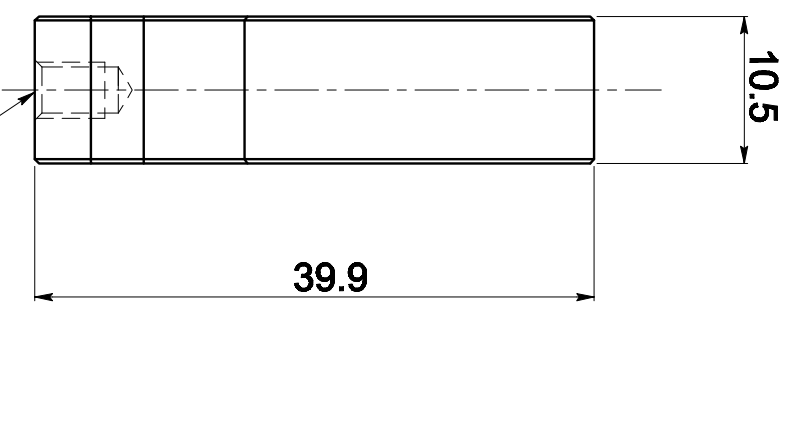
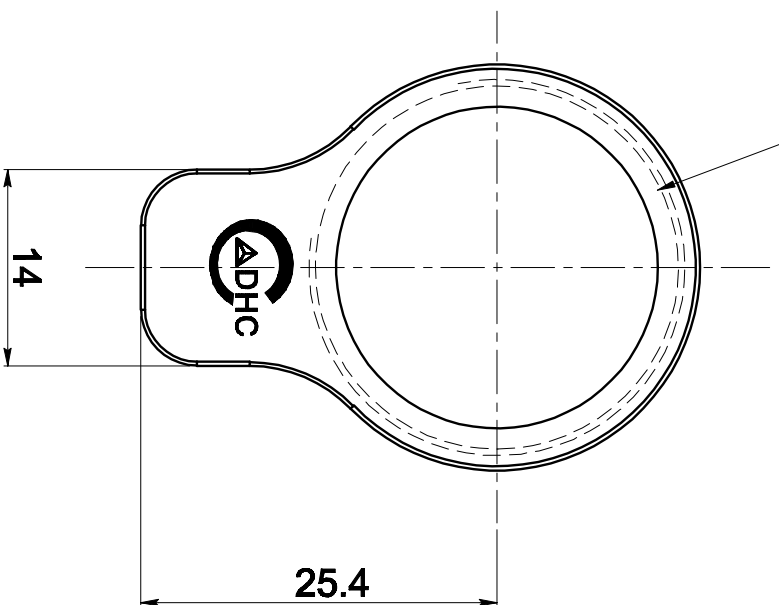




SM1(1.035"-40) internal thread
Accept Ø25.4mm optics Thickness : ≤8mm
Ø23mm clear aperture



DRAWING PROJECTION		 	
GCM-081225M		CDHC 大恒光电 www.cdhccorp.com.cn	
SIMPLE LENS/MIRROR MOUNT		weight	sacle
		10g	2:1