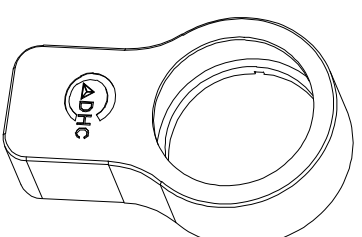
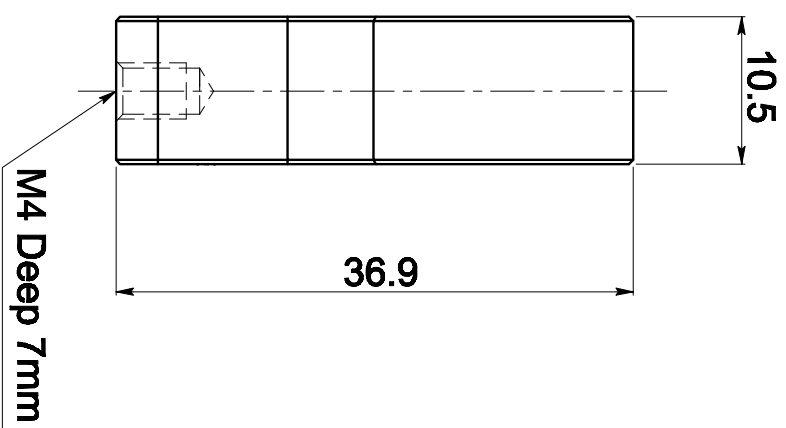
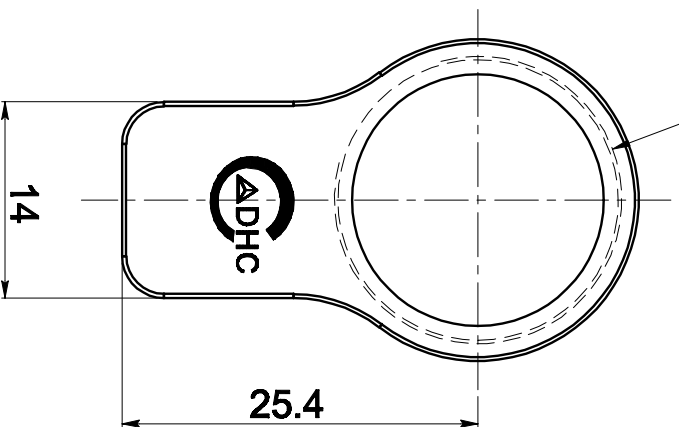

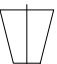


**Accept Ø20mm optics Thickness : ≤8mm
Ø18mm clear aperture**



DRAWING PROJECTION		 		CDHC 大恒光电 www.cdhccorp.com.cn	
GCM-081220M					
SIMPLE LENS/MIRROR MOUNT		weight		sacle	
		10g		2:1	