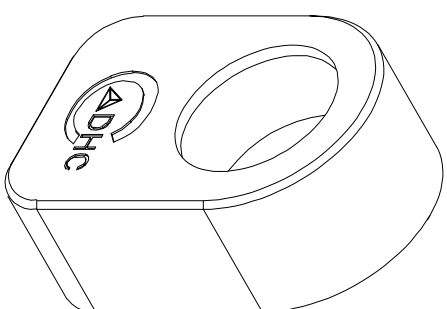
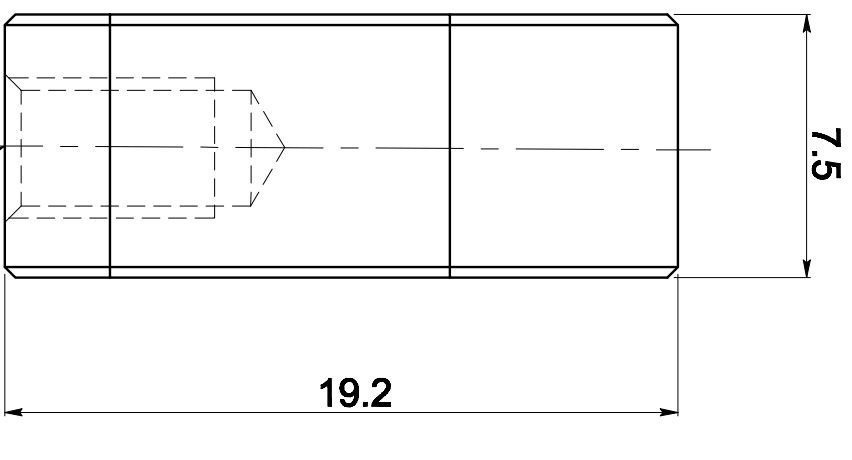
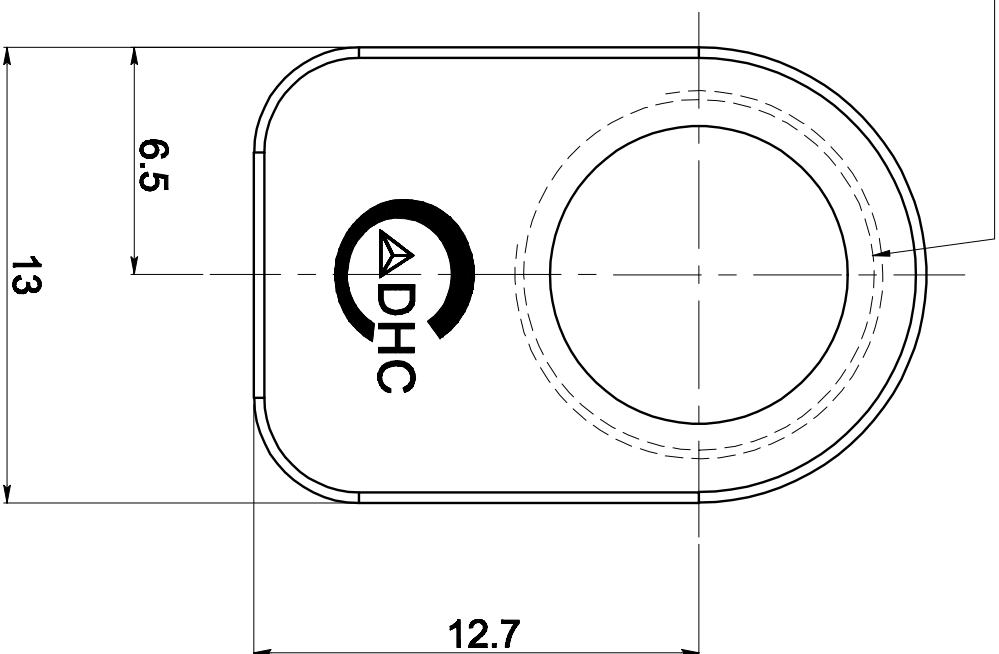


Accept Ø10mm optics Thickness : ≤5 mm
 Ø8.5mm clear aperture



M4 Deep 5mm

DRAWING PROJECTION			
GCM-081210M		CDHC 大恒光电	
SIMPLE LENS/MIRROR MOUNT		www.cdhccorp.com.cn	
weight	3g	sacle	5:1