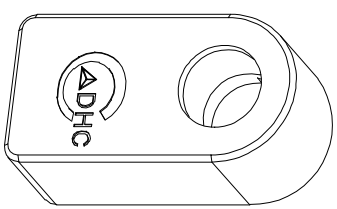
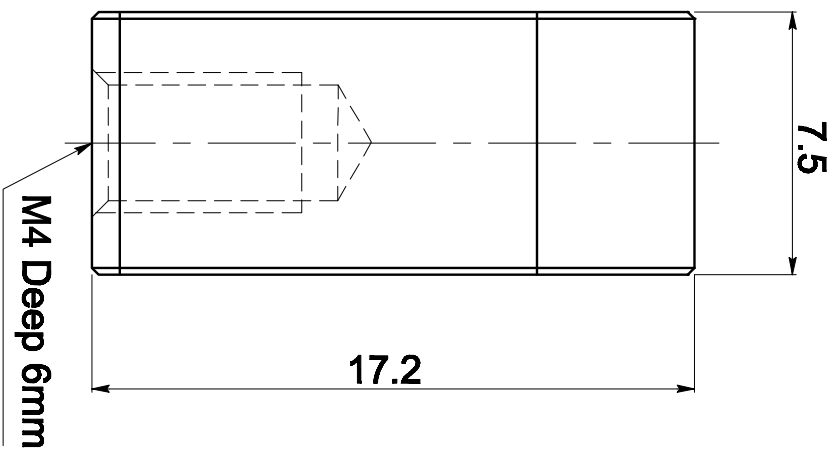
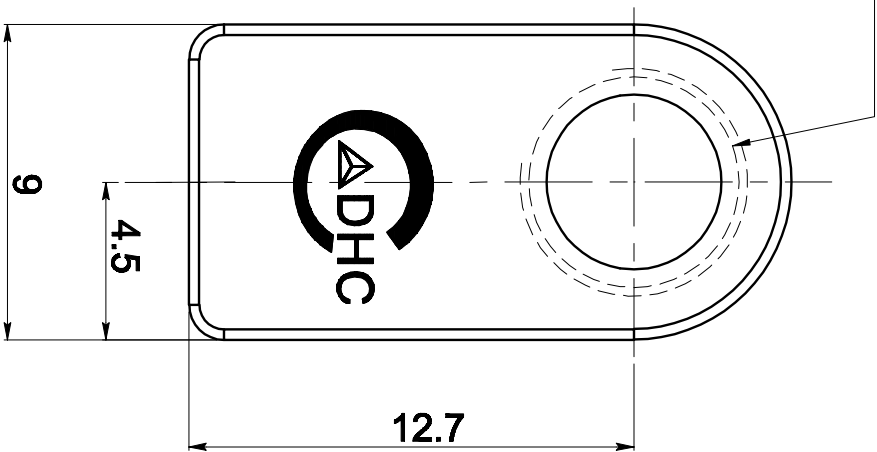




Accept Ø6mm optics Thickness : ≤5 mm
 Ø5mm clear aperture



DRAWING PROJECTION		 	
GCM-081206M		CDHC 大恒光电 www.cdhccorp.com.cn	
SIMPLE LENS/MIRROR MOUNT		weight	sacle
		2g	5:1