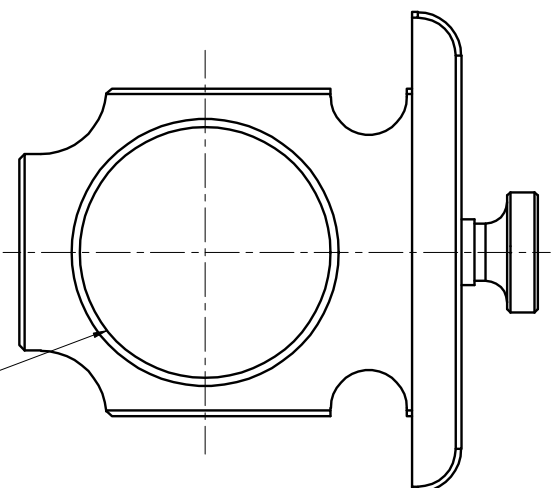


## GCT-140101

Multiple GCT-140101 could be used in series by the means of the Ø29mm shoulder and the Ø29.1 cbore, in order to eliminate the stray light.



Ø25.4mm holding diameter,  
Lens thickness ≲ 6mm

