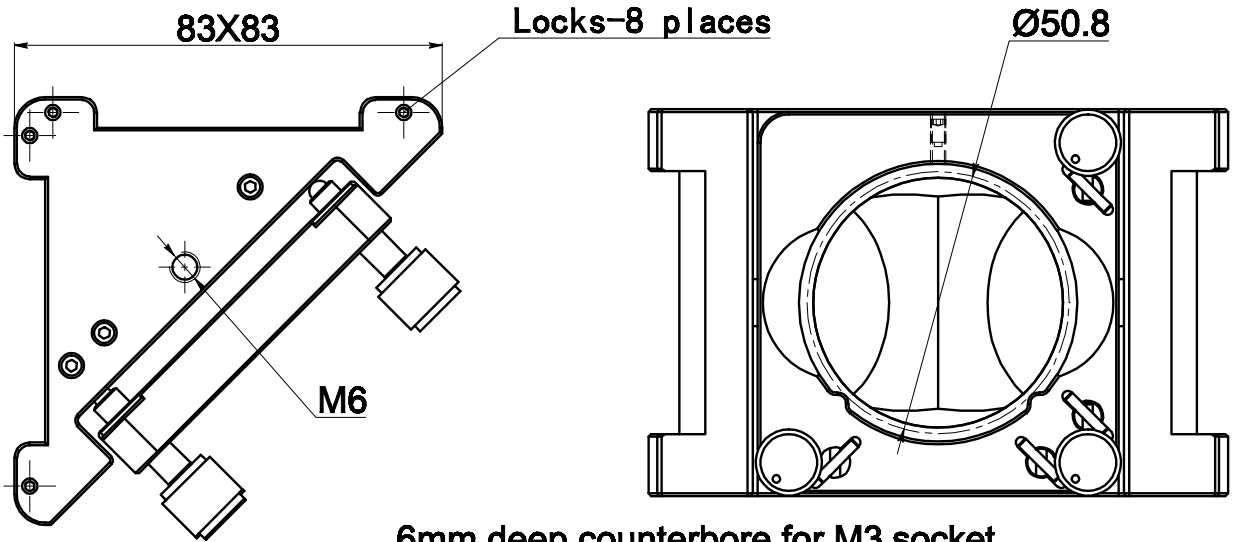


GCT-086614



6mm deep counterbore for M3 socket screws, which could be directly mounted to GCT-0101 series

