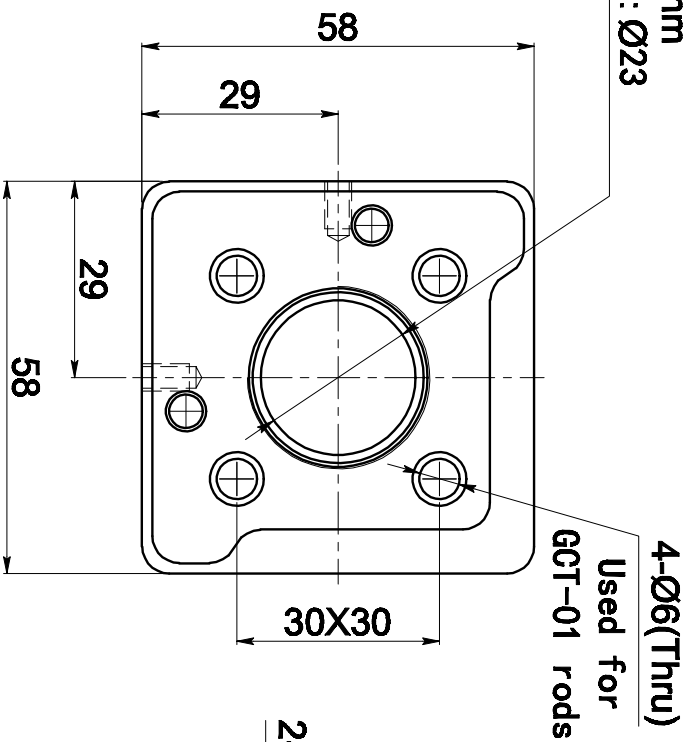


GCT-080304

Ø25.4mm (1 in.) optics secured by retaining with recommended

Thickness: ≤5mm
Optical Aperture: Ø23



Locking screws: Secure GCT-080304 mount to
GCT-01 construction rods.
4 Places

