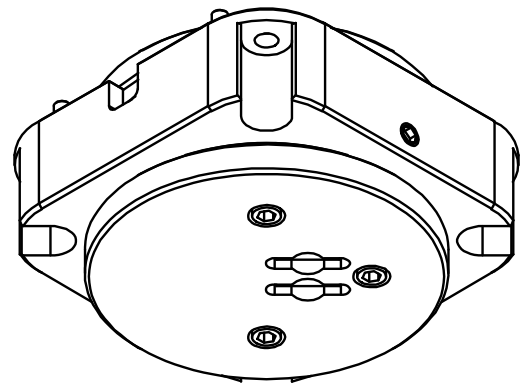
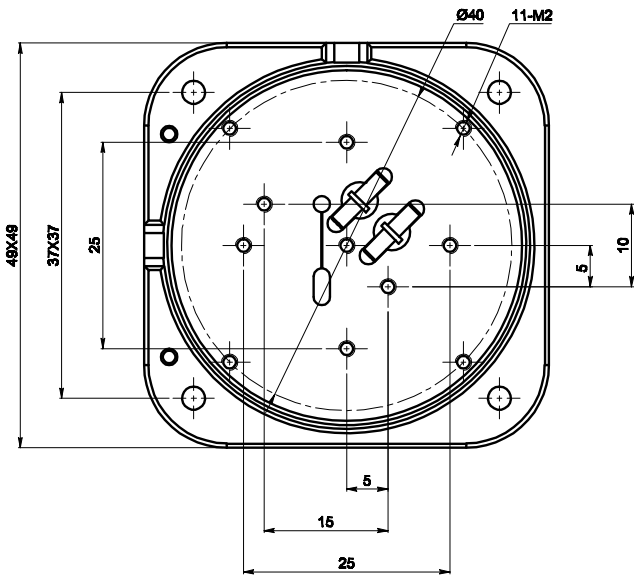
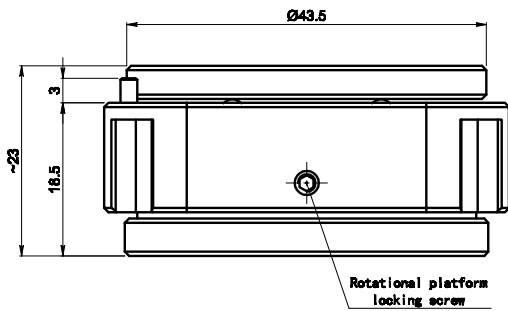
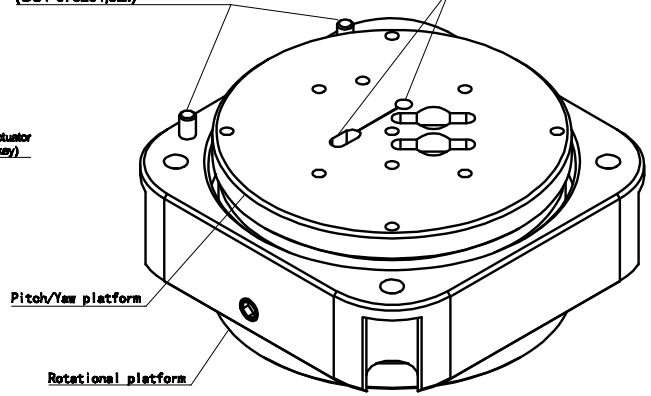


27mm apart pins used to connect with other GCT products (GCT-070201, etc.)

10mm apart pin holes used to connect with other GCT products (GCT-070202/070203, etc.)



GCT-071102