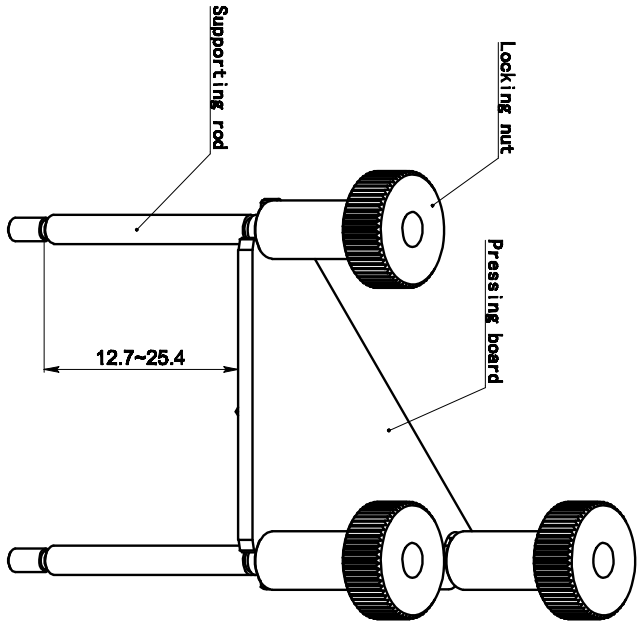
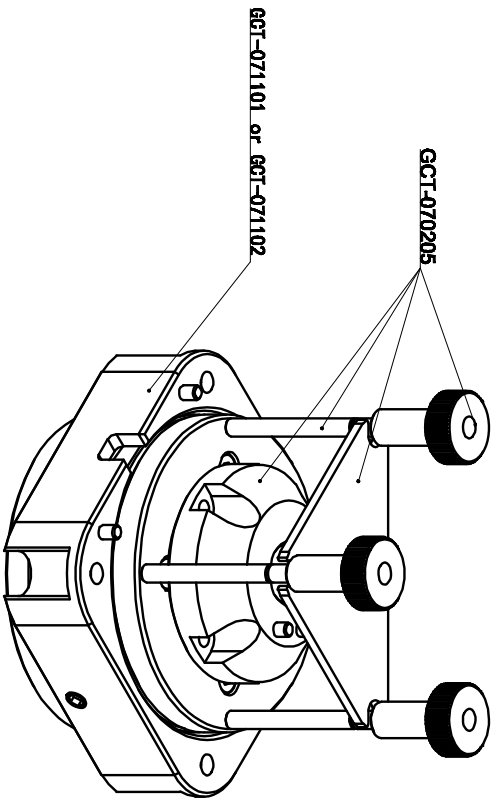


# GCT-070205



Used with GCT-071101/GCT-071102  
(Max clamping dimensions: 25, 4X25, 4X25, 4mm)

