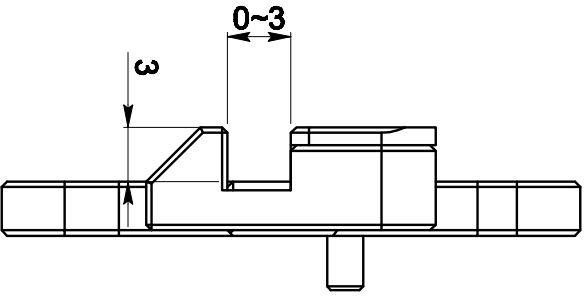
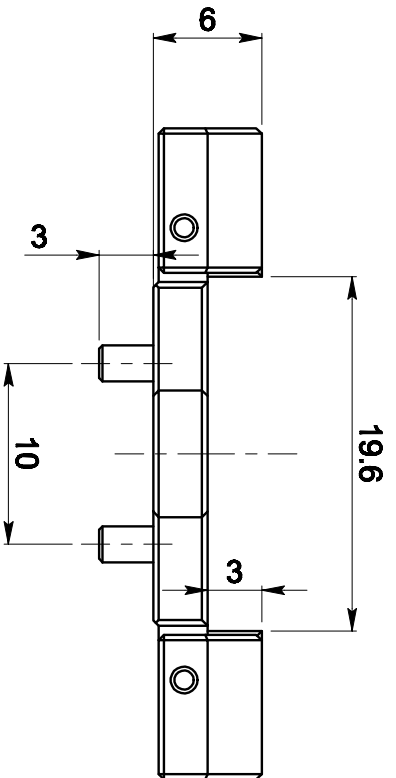
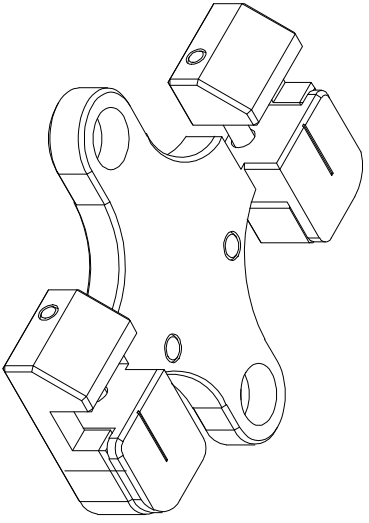


# GCT-070203



Coating side of the mounted lens  
should be faced to this mark

