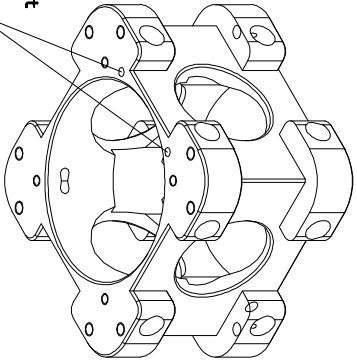
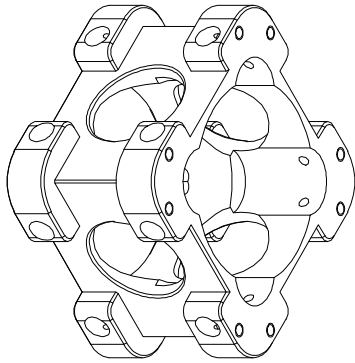
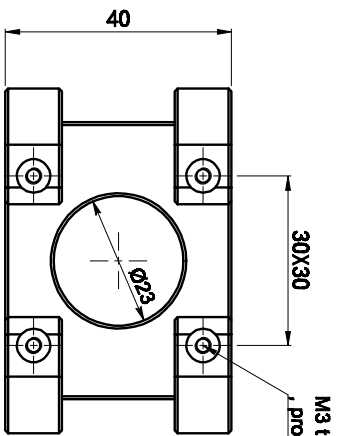
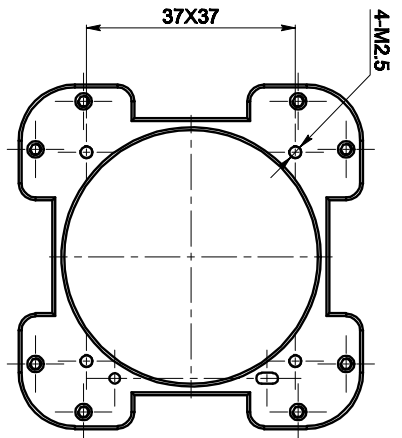


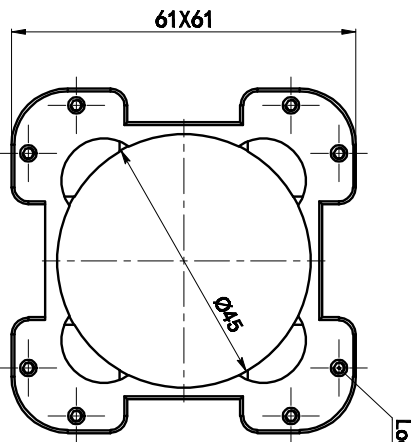
GCT-070201



27mm apart pin holes used to connect with other GGT products (GCT-071101/071102, etc.)



M3 threaded hole accompanied by 3mm deep counterbore, provides 2 ways of mounting with GCT-0101 series



Locking screws-16 places