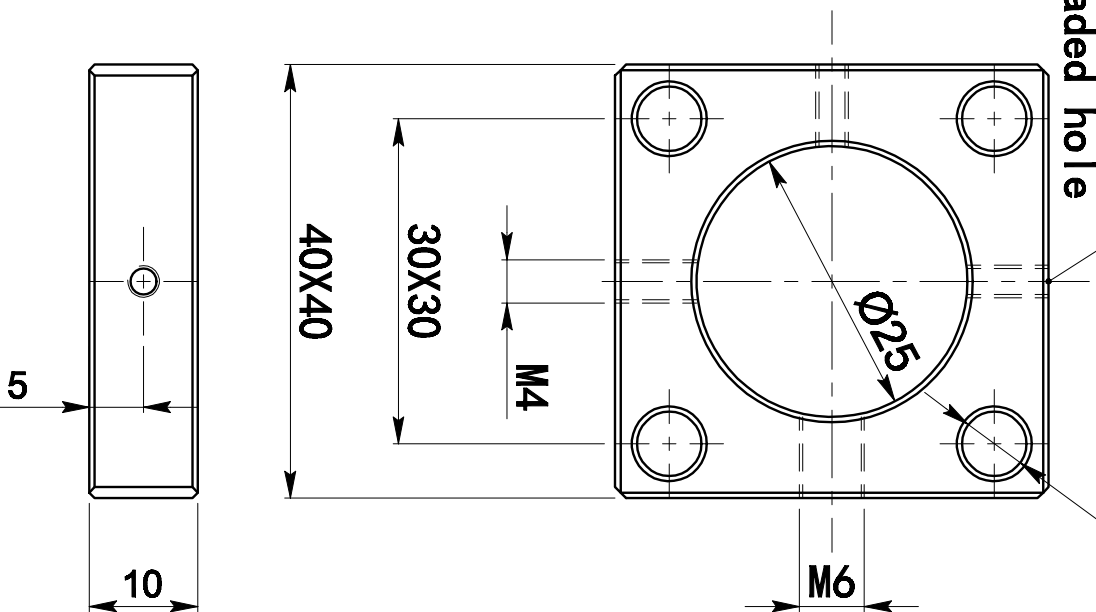


2-M3

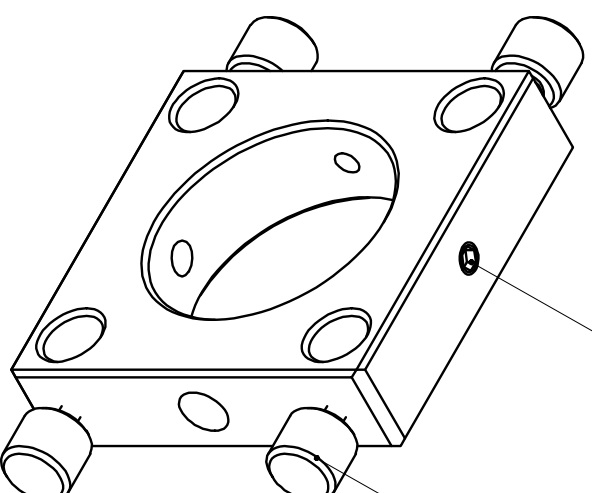
**Lock screw
threaded hole**



4-Ø6(THRU)

**Mounted to
GGT-01 rod**

GGT-030125



**Lock screw (1 per pack) :
Used to lock $\phi 25$ dia optics**

**Lock knob (4 per pack) :
Used to lock on GGT-01 rod**