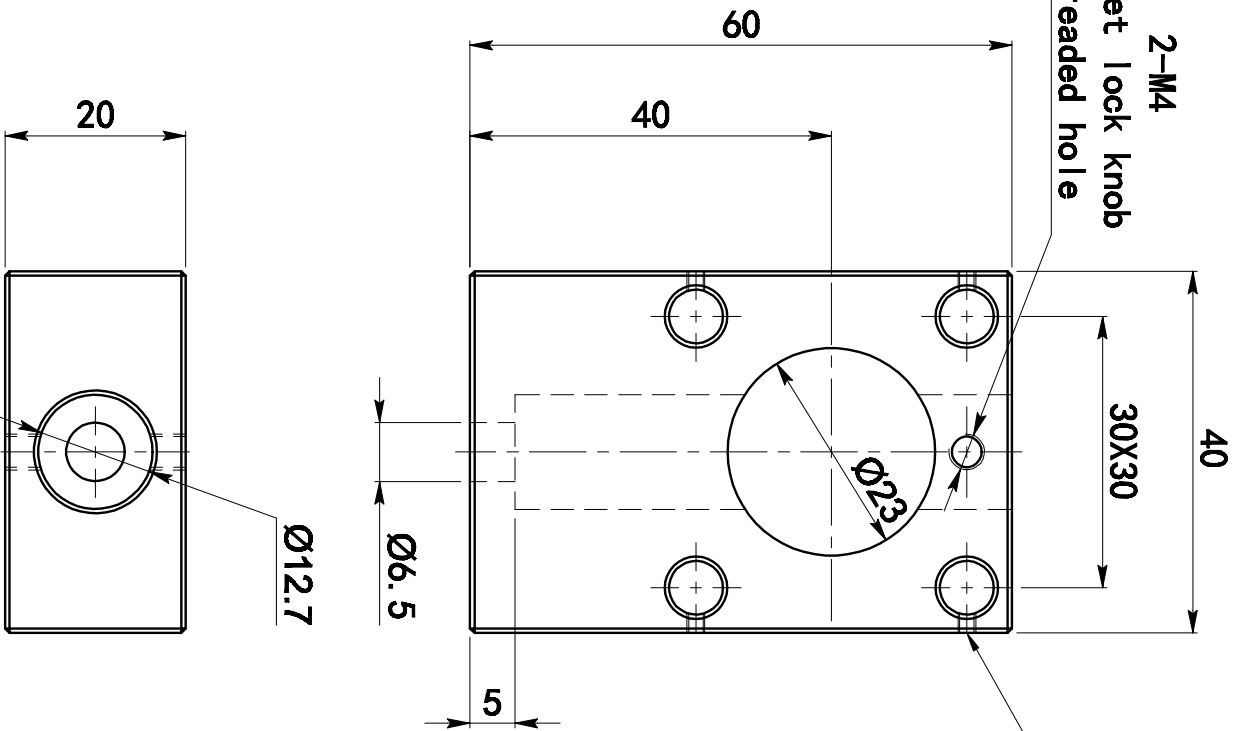


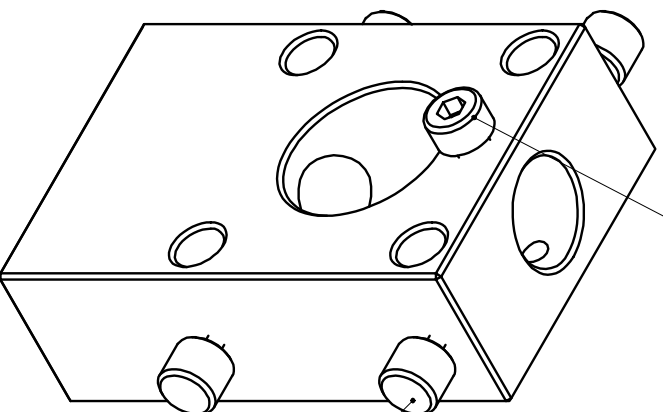
2-M4
Socket lock knob
threaded hole



4-M2 (lock knob
threaded hole)

GCT-020302

Socket lock knob (1 per pack) :
Used to lock $\phi 12.7$ post



Lock knob (4 per pack) :
Used to lock on GCT-01 rod