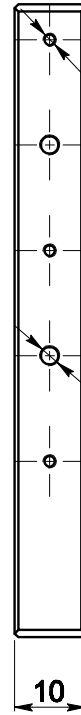
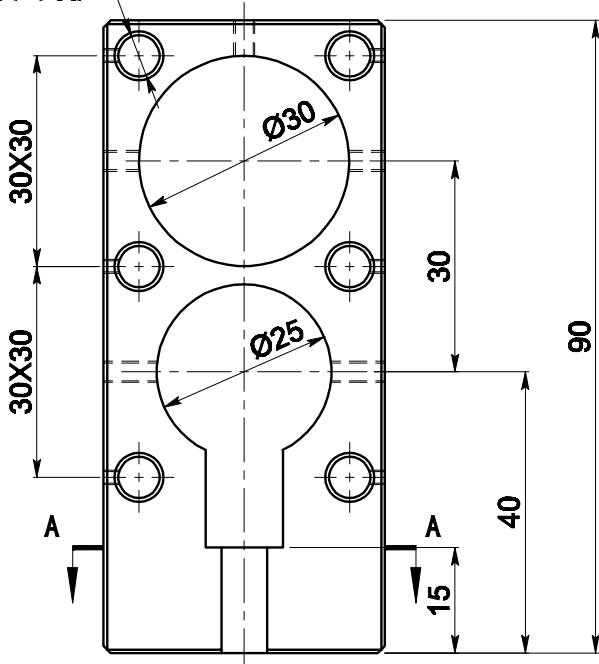


GCT-020113

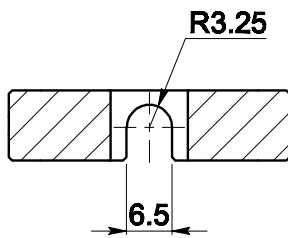
6-Ø6(THRU)

Mounted to
GCT-01 rod

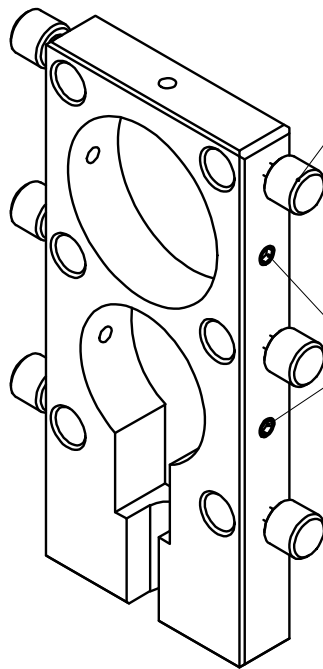
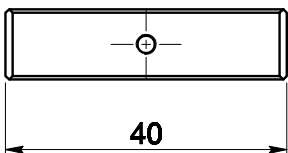


6-M2 (lock knob
threaded hole)

5-M3 (lock screw
threaded hole)



A-A



lock knob (6 per pack) :
Used to lock on GCT-01 rod

Lock screw (2 per pack) :
Used to lock Ø30/Ø25 dia optics