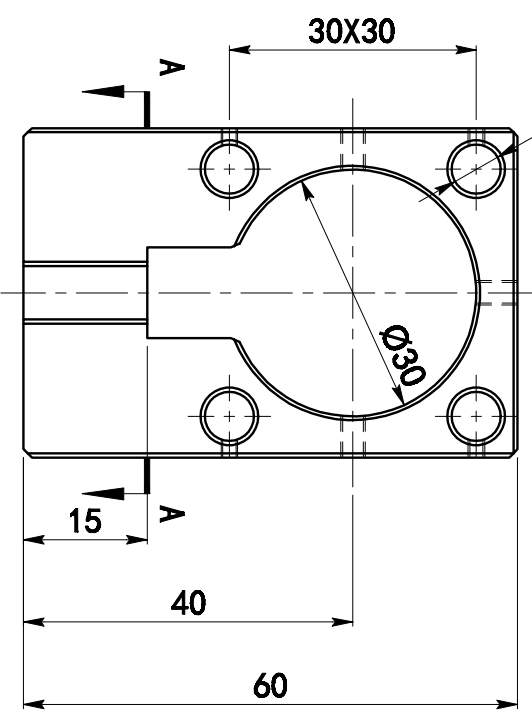
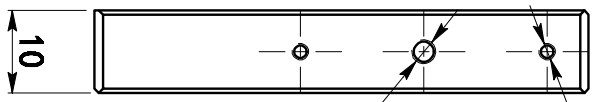


GCT-020112

4- $\varnothing 6$ (THRU)
Mounted to
GCT-01 rod

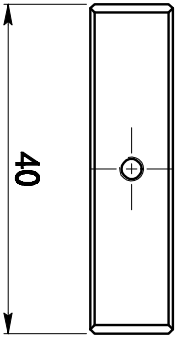
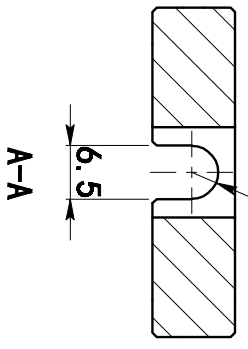


4-M2 (lock knob
threaded hole)



3-M3 (lock screw
threaded hole)

Lock screw (1 per pack) :
Used to lock $\varnothing 30$ dia optics



Lock knob (4 per pack) :
Used to lock on GCT-01 rod

