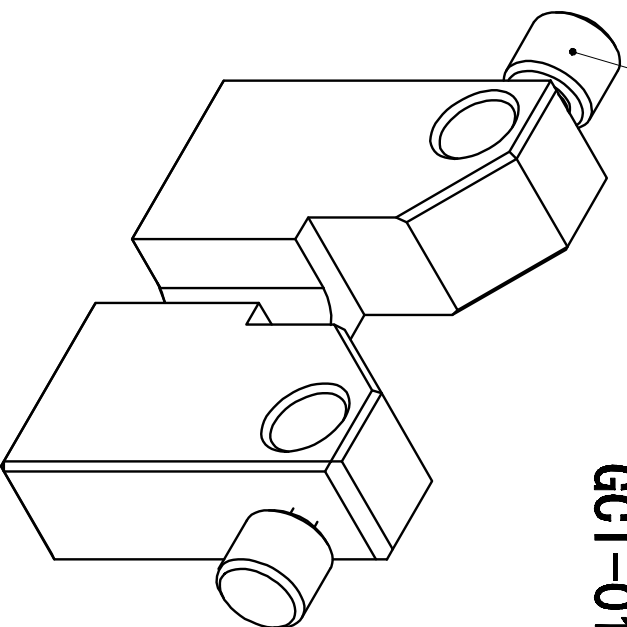


GCT-020111

Lock knob (2 per pack) :

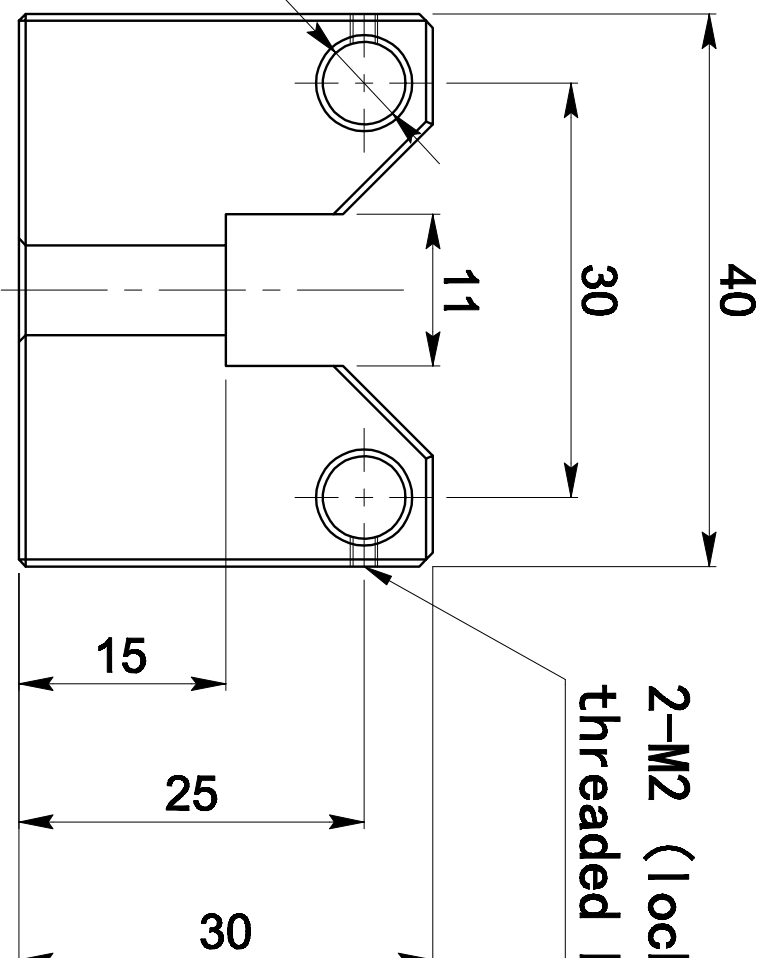
Used to lock on

GCT-01 rod



2-Ø6(THRU)

Mounted to
GCT-01 rod



2-M2 (lock knob
threaded hole)

