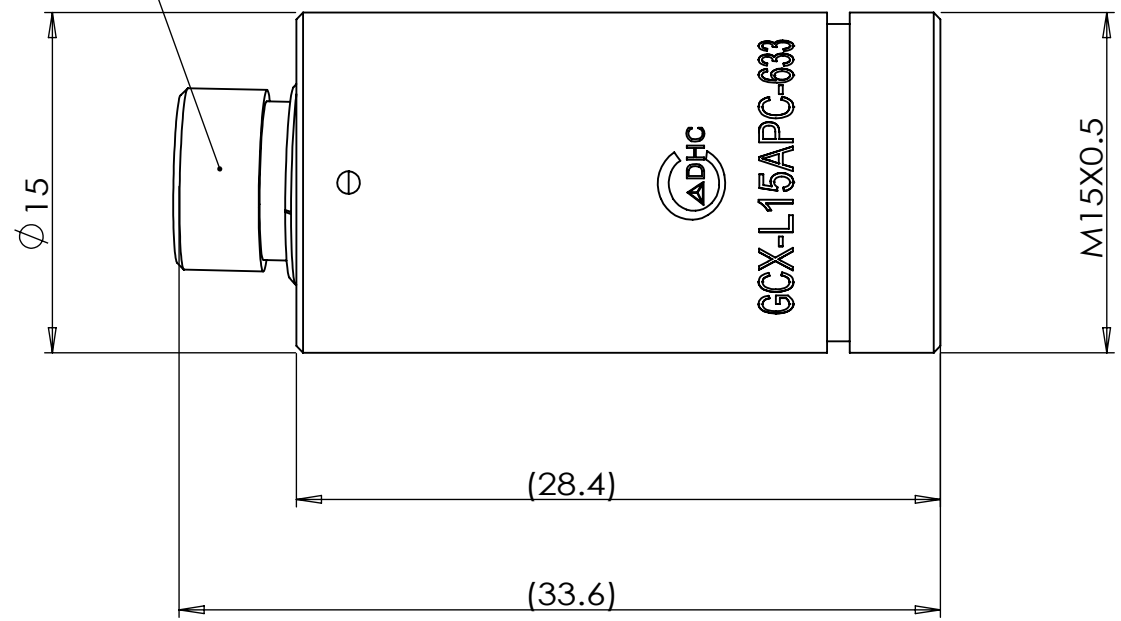



FC/APC



PROPRIETARY AND CONFIDENTIAL
 THE INFORMATION CONTAINED IN THIS DRAWING IS THE SOLE PROPERTY OF <INSERT COMPANY NAME HERE>. ANY REPRODUCTION IN PART OR AS A WHOLE WITHOUT THE WRITTEN PERMISSION OF <INSERT COMPANY NAME HERE> IS PROHIBITED.

		DIMENSIONS ARE IN INCHES		NAME	DATE	Daheng Optics		
		TOLERANCES:		DRAWN				
		FRACTIONAL ±		CHECKED		GCX-L15APC-633		
		ANGULAR: MACH ± BEND ±		ENG APPR.				
		TWO PLACE DECIMAL ±		MFG APPR.				
		THREE PLACE DECIMAL ±		Q.A.				
		MATERIAL		--				
NEXT ASSY	USED ON	FINISH		--				
APPLICATION		DO NOT SCALE DRAWING				SIZE	DWG. NO.	REV.
						A		
						SCALE:10:1	WEIGHT:	SHEET 1 OF 1