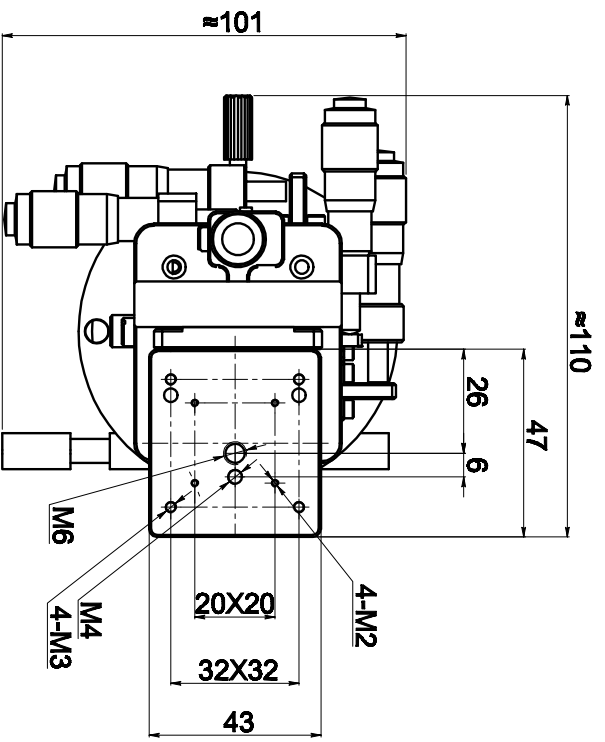
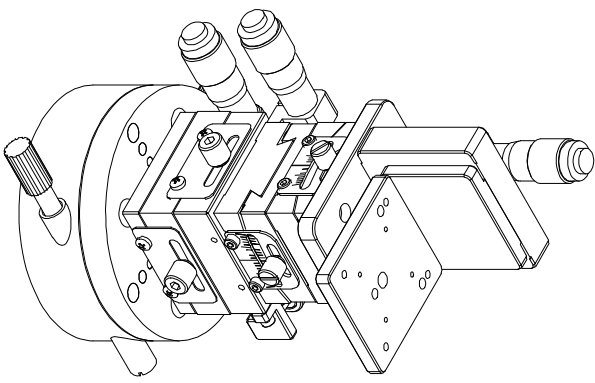


# GCM-930602M



| 组合产品        | 数量 | 行程X (mm) | 行程Y (mm) | 行程Z (mm) | 旋转 (°) | 俯摆 (°) | 偏摆 (°) |
|-------------|----|----------|----------|----------|--------|--------|--------|
| GCM-V13M    | 1  | —        | —        | 0~13     | —      | —      | —      |
| GCM-T13M2L  | 1  | ±6.5     | ±6.5     | —        | —      | —      | —      |
| GCM-1108M   | 1  | —        | —        | —        | 360°   | —      | —      |
| GCM-G40M40L | 1  | —        | —        | —        | —      | ±7°    | —      |
| GCM-G40M60L | 1  | —        | —        | —        | —      | —      | ±5°    |