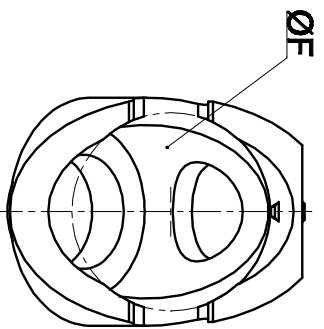
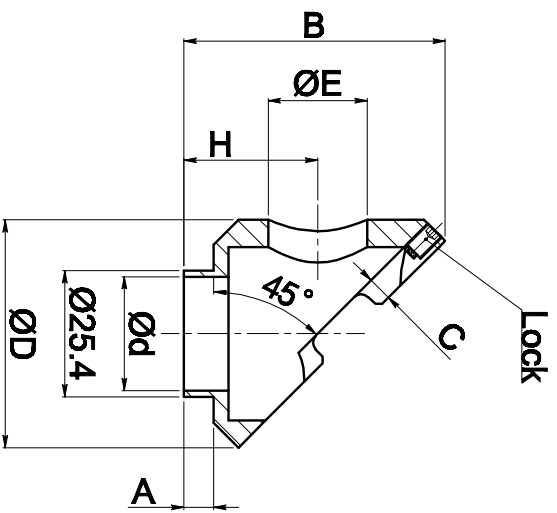


GCM-0811 Series



Model	A	B	C	D	d	E	F	H
GCM-081101M	6	32.7	7	30.7	19.4	/	25.4	/
GCM-081102M	6	53	5	46	23	20	40	27
GCM-081103M	6	65	5	57	23	28	50.8	39