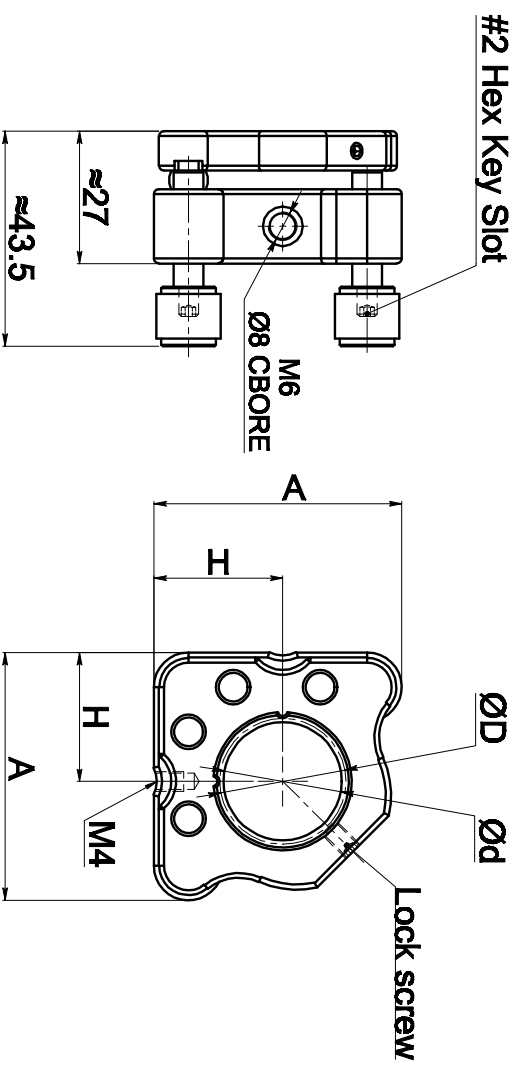


GCM-0888 Series



| MODEL | D | d | H | A |
|-------------|------|------|----|----|
| GCM-088803M | 20 | 18.5 | 26 | 50 |
| GCM-088804M | 25.4 | 23.9 | 26 | 50 |
| GCM-088805M | 30 | 28.5 | 28 | 52 |
| GCM-088807M | 40 | 38.5 | 32 | 62 |
| GCM-088808M | 50.8 | 48.8 | 36 | 69 |