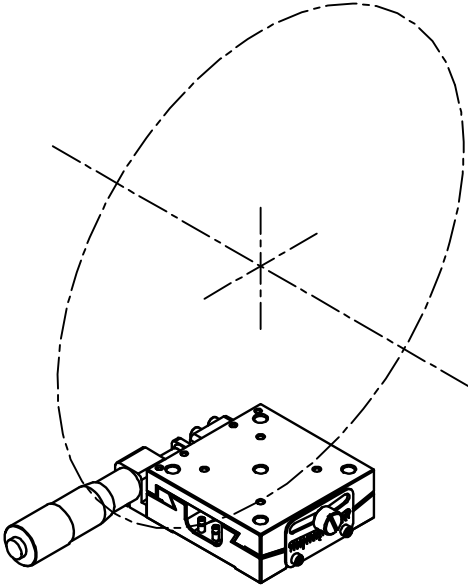


GCM-G65M100L DIMENSIONS



ISO SCALE: 1: 2

Rotating Center

RC=100

Scale 1° Vernier 0.1°

